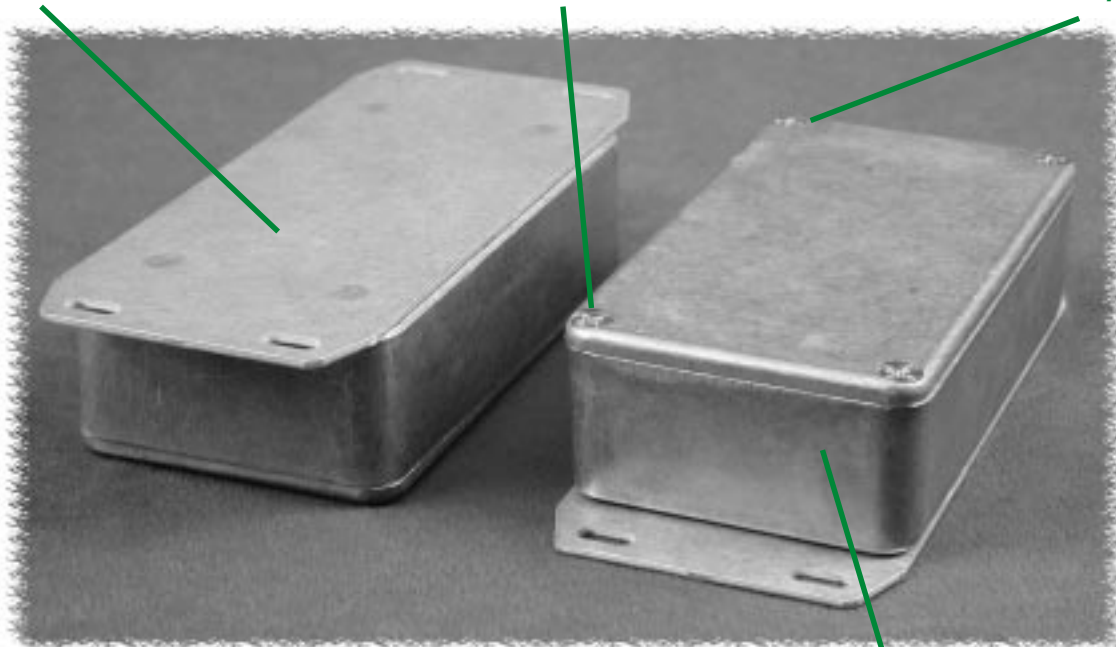


# Natural & Painted With Flange (1590 Series)

*Bottom flange is an aluminum plate, welded onto the base of the enclosure...*

*Lid screws are exposed for easy enclosure access...*

*Countersunk lid with machine screws into drilled and tapped holes...*

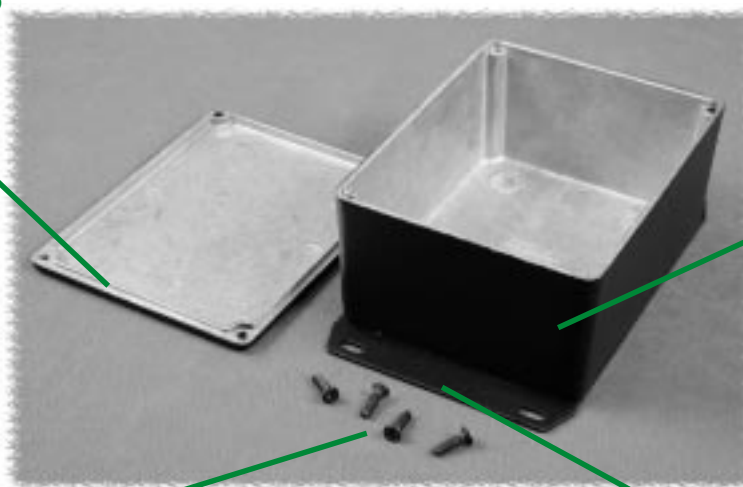


*Vibra finished for a smooth surface with no sharp edges...*

## OTHER KEY FEATURES

- Rugged, diecast aluminum alloy (tough yet easy to machine), electronic instrument enclosure.
- Lap joint construction provides protection against access of dust and splashing water. Also provides for improved EMI/RFI shielding.
- Painted version (shown below) is painted with tough polyester powder paint for a lasting finish, even after machining.
- Four (or 6 in 1590D, 1590DD & 1590E, 8 in 1590F) 6-32 x 1/2" machine screws secure lid - into tapped holes.
- Designed to meet IP54
- Replacement screws for natural finish series, nickel plated, 6-32 x 1/2" - **1590MS100** - Package of 100
- Replacement black chromate screws for black series, 6-32 x 1/2" - **1590MS50BK** - Package of 50

*Lap joint construction - lip masked to ensure good EMI/RFI connection to base...*

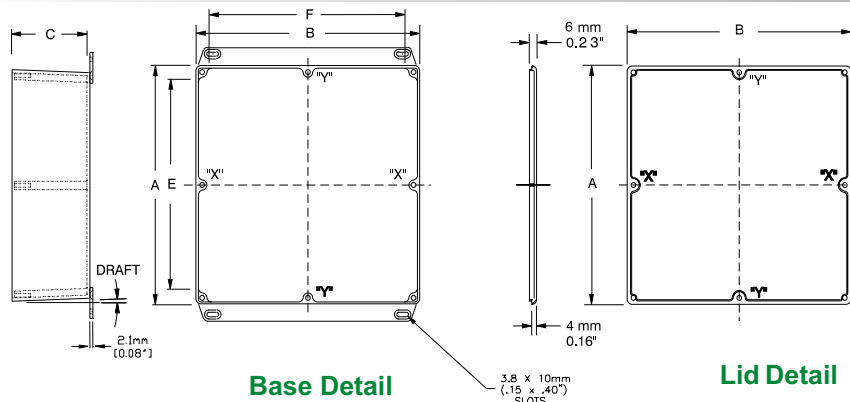


*Vibra finished for a smooth surface with no sharp edges, then painted with tough polyester powder paint...*

*Enclosure uses machine screws into drilled & tapped holes matched to enclosure color...*

*Bottom flange is an aluminum plate, welded onto the base of the enclosure...*

# Natural & Painted With Flange (1590 Series)



Base Detail

Lid Detail

Part Number		Units	Dimensions					Apx. Draft
Unpainted	Black		A	B	C (No Lid)	E	F	
1590LLBF	1590LLFBK	inch mm	1.97 50	1.97 50	0.83 21	1.22 31	1.22 31	1°15'
1590LBF	1590LBFBK	inch mm	1.99 50.5	1.99 50.5	1.06 27	1.36 34.5	1.36 34.5	1°15'
1590HF	1590HFBK	inch mm	2.07 52.5	1.50 38	1.06 27	1.41 35.9	.86 21.8	1°15'
1590YF	1590YFBK	inch mm	3.62 92	3.62 92	1.50 38	2.70 69	2.70 69	1°15'
1590AF	1590AFBK	inch mm	3.64 92.5	1.52 38.5	1.06 27	3.01 76.5	.89 22.5	1°15'
1590GF	1590GFBK	inch mm	3.94 100	1.97 50	0.83 21	3.31 84	1.34 34	1°15'
1590SF	1590SFBK	inch mm	4.35 110.5	3.21 81.5	1.57 40	3.72 94.5	2.58 65.5	1°15'
1590BF	1590BFBK	inch mm	4.39 111.5	2.34 59.5	1.06 27	3.76 95.5	1.71 43.5	1°15'
1590BBF	1590BBFBK	inch mm	4.67 118.5	3.68 93.5	1.18 30	4.04 102.5	3.05 77.5	1°15'
1590UF	1590UFBK	inch mm	4.70 119.5	4.70 119.5	2.17 55	4.07 103.5	4.07 103.5	1°15'
1590VF	1590VFBK	inch mm	4.70 119.5	4.70 119.5	3.54 90	4.07 103.5	4.07 103.5	1°15'
1590CF	1590CFBK	inch mm	4.72 120	3.70 94	2.07 52.5	4.09 104	3.07 78	2°
1590QF	1590QFBK	inch mm	4.72 120	4.72 120	1.18 30	4.09 104	4.09 104	1°15'
1590TF	1590TFBK	inch mm	4.74 120.5	3.13 79.5	2.17 55	4.11 104.5	2.50 63.5	1°15'
1590N1F	1590N1FBK	inch mm	4.77 121.1	2.60 66	1.39 35.3	4.09 103.8	1.92 48.7	1°15'
1590KKF	1590KKFBK	inch mm	4.92 125	4.92 125	2.10 53	4.13 105	4.13 105	1°15'
1590KF	1590KFBK	inch mm	4.92 125	4.92 125	2.95 75	4.27 108.5	4.27 108.5	1°15'
1590JF	1590JFBK	inch mm	5.71 145	3.74 95	1.77 45	5.06 128.5	3.09 78.5	2°
1590P1F	1590P1FBK	inch mm	6.01 153	3.24 82	1.81 46	5.38 137	2.48 63	2°
1590DDF	1590DDFBK	inch mm	7.38 187.5	4.70 119.5	1.30 33	6.77 172	4.07 103.5	1°15'
1590DF	1590DFBK	inch mm	7.38 187.5	4.70 119.5	2.05 52	6.75 171.5	4.07 103.5	2°
1590EF	1590EFBK	inch mm	7.38 187.5	4.70 119.5	3.07 78	6.75 171.5	4.07 103.5	2°
1590FF	1590FFBK	inch mm	7.38 187.5	7.38 187.5	2.48 63	6.75 171.5	6.75 171.5	2°
1590R1F	1590R1FBK	inch mm	7.55 192	4.38 111	2.24 57	6.92 176	3.76 95.4	2°

**Notes:** Assembled height = dimension "C" + .16" (4.0 mm). Wall & lid thickness is roughly .08" (2 mm) and varies with draft due to part being cast. Posts "X" exist on parts 1590D, 1590DD & 1590E. Posts "X" & "Y" exist on part 1590F. For detailed drawings, CAD files or color photos visit our website at: [www.hammondmgf.com](http://www.hammondmgf.com)

Diecast



**CANADA**  
Guelph, Ontario (519) 822-2960  
St. Laurent, Quebec (514) 343-9010  
**USA**  
Cheektowaga, NY (716) 651-0086

[www.hammondmgf.com](http://www.hammondmgf.com)

**EUROPE**  
Basingstoke, UK +44 1256 812812

**AUSTRALASIA**  
Queenstown, SA, Australia +61 8 8240 2244